

**DIFUSION**  
**HIORAUICA** *LLUIS S.A.*

Polígono Indus. Vilamalla  
c/ Garbí, 21-23  
17469 VILAMALLA Tels. (972) 52.50.12  
(Girona) - España Fax (972) 52.54.77

SALES BUDGET  ORDER

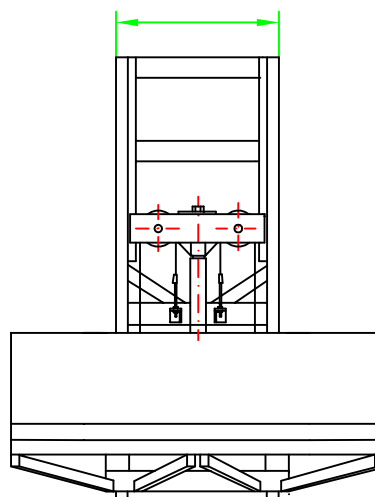
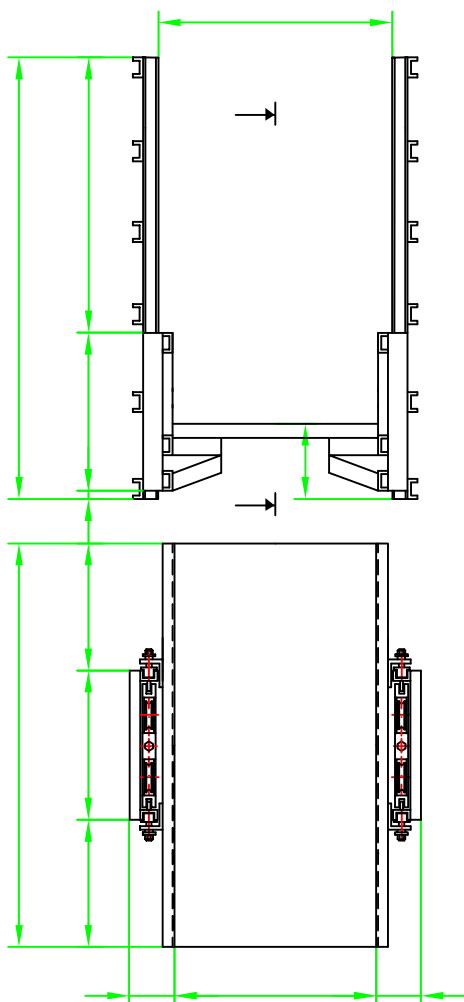
N° DATE

COSTUMER

Mr./Mrs.

Ref.

## INDUSTRIAL PLATFORM LIFT 1500-10.000Kg



### GENERAL CHARACTERISTICS:

CHARGE: \_\_\_\_\_ Kg  
 ROUND: \_\_\_\_\_ mm  
 STOPS N° : \_\_\_\_\_  
 SPEED (m/s): 0.10  0.15  — 2 SPEEDS   
 POWER: \_\_\_\_\_ CV — FLOW: \_\_\_\_\_ l/min  
 PLATAFORM MEASURES: (B) \_\_\_\_\_ x (l) \_\_\_\_\_  
 FLEXIBLE PIPING L= \_\_\_\_\_ m  
 VOLTAGE: II 220V  III 220V  III 380V   
 CYLINDER: Ø \_\_\_\_\_ x \_\_\_\_\_  
 PULLEYS: \_\_\_\_\_ Ø \_\_\_\_\_ — WIRES: \_\_\_\_\_ Ø \_\_\_\_\_

### OPTIONS:

STOP PARACHUTE:  SWITCH:  SPECIAL FINISHED  
 LATERALS WHEELS:  OIL:  GALVANIZED: (Structural part)   
 PARALEX:  Preassembled shaft electric installation:  INOXIDABLE: (Floor and protections)   
 SUBJECTION LEG: \_\_\_\_\_  INOX AXLES, WHEELS AND PULLEYS:

### DOORS:

	QUANTITY	FREE STEP X HIGH	
1 LEAF MANUAL CASEMENT: <input type="checkbox"/>	_____	_____ x _____	Right: <input type="checkbox"/> Left: <input type="checkbox"/> (Hinge side)
2 LEAVES MANUAL CASEMENT: <input type="checkbox"/>	_____	_____ x _____	Right: <input type="checkbox"/> Left: <input type="checkbox"/> (Lock side)
ELECTROCAM (190V): <input type="checkbox"/>	_____	DOOR PUSH BUTTON <input type="checkbox"/>	_____

Obs. \_\_\_\_\_

**VALIDITY OFFER = 1 MONTH**

Contact e-mail address

Delivery time

Date customer acceptance

Signature